

MOYNO™

EZstrip™ TR Muncher®

The EZstrip series of grinders offer a competitive solution to solids grinding and sludge conditioning. With the ability to maintain your grinder in place, maintenance is reduced by more than 70% for significant cost savings.



Typical Applications

- > Tanker reception
- > Pump protection
- > Fat/sludge conditioning
- > Abrasive sludge maceration
- > Screenings in waste water
- > Organic waste maceration

Capacity

- > up to 2,200 gal/min

Pressure

- > up to 5 psi

Features & Benefits

Maintain-in-Place

Eases removal of rotating parts without disconnecting the electrical connection to the unit and the housing from the pipework. This reduces maintenance time from days to a few hours.

Cantilever Design

Eliminates the need for lower mechanical seals or bearings reducing breakdowns and repair costs.

Angled Cutter Stack

"Upflow" design rejects hard materials reducing the risk of damage to the cutter teeth.

Cartridge Assembly

Short lead times for cutter stack cartridge replacement units.

Equal Thrust Offset (ETOS) Cutters

Capture and reduce large solids for effective maceration.

Low running speeds

Reduced wear for a longer working life which extends the periods between routine maintenance. Think of the savings that could be realized on abrasive applications.

Built-In Trash Trap

Situated below and away from the cutter stack to catch any rejected materials. Rejected items can be removed or flushed out through the clean out port.

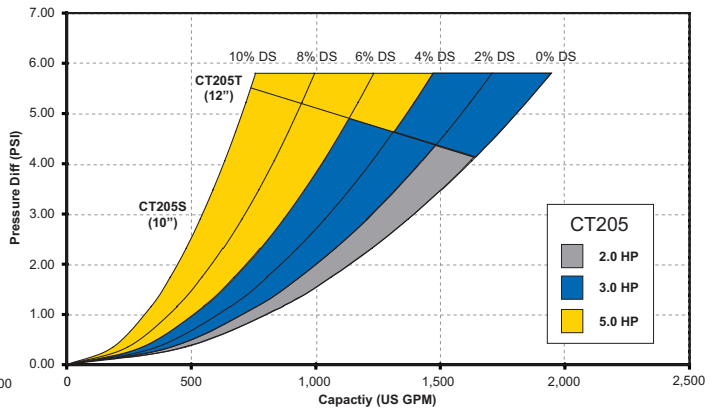
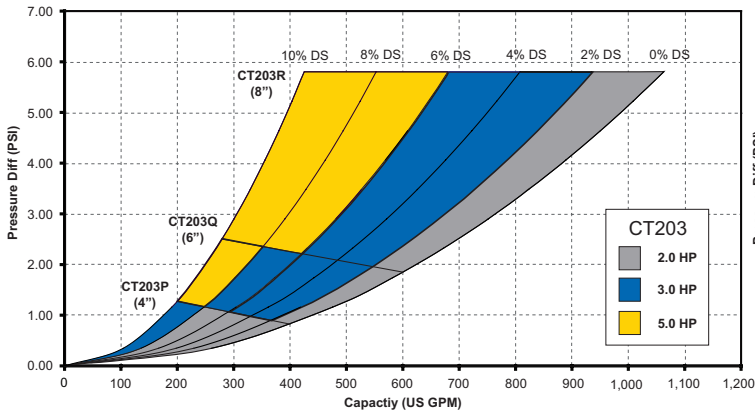
Energy Efficient Motors

Efficient motors along with low installation power to further reduce operating costs.

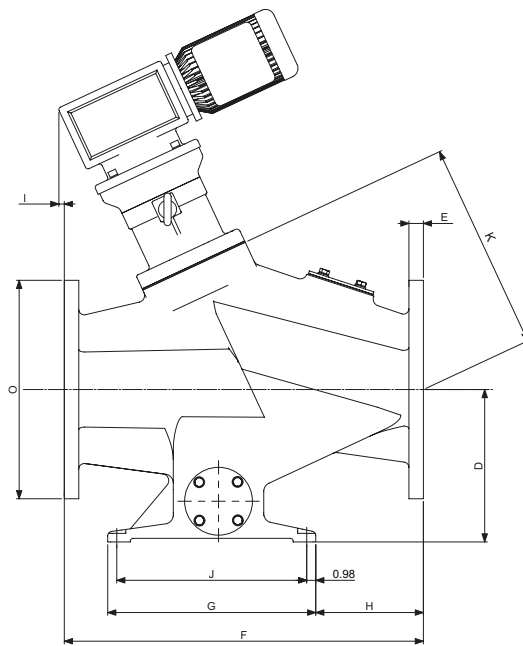
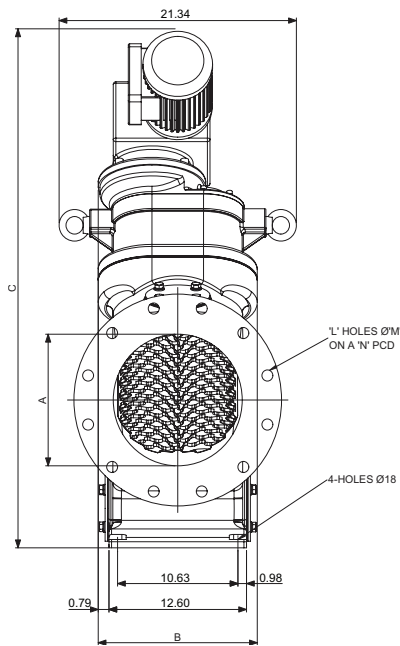
Service Exchange

Pre-assembled cartridge is available with a 2-year warranty to allow faster reassembly time.

Performance



Dimensions



MODEL	HP	A	B	C	D	E	F	G	H	I	J	K	L	M	N	O	LBS.
CT203P	2.0	3.94	14.57	40.15	8.07	0.94	19.25	16.14	4.88	5.51	14.17	14.29	0.31	0.71	7.09	8.66	639
CT203Q		5.90	14.57	40.15	9.06	0.98	21.26	16.14	6.10	1.57	14.17	13.94	0.31	0.87	9.45	11.22	639
CT203R		7.87	14.57	40.15	10.08	1.14	23.27	16.14	8.07	0.63	14.17	13.82	0.47	0.87	11.61	13.50	639
CT205S		9.84	14.57	46.85	11.06	1.26	27.24	18.11	8.07	1.18	16.14	19.45	0.47	1.02	13.98	15.98	760
CT205T		11.81	14.57	46.85	13.07	1.26	31.26	18.11	10.35	-0.67	16.14	18.58	0.47	1.02	16.14	19.01	760
CT203P	3.0 - 5.0	3.94	15.55	44.49	8.07	0.94	19.25	16.14	4.88	6.65	14.75	14.29	0.31	0.71	7.09	8.66	749
CT203Q		5.90	15.55	46.06	9.06	0.98	21.26	16.14	6.10	3.82	14.17	13.94	0.31	0.87	9.45	11.22	749
CT203R		7.87	15.55	46.06	10.08	1.14	23.27	16.14	8.07	2.83	14.17	13.82	0.47	0.87	11.61	13.50	749
CT205S		9.84	15.55	51.57	11.06	1.26	27.24	18.11	8.07	3.43	16.14	19.45	0.47	1.02	13.98	15.98	860
CT205T		11.81	15.55	51.57	13.07	1.26	31.26	18.11	10.35	1.57	16.14	18.58	0.47	1.02	16.14	19.01	860



"Fluid Handling Specialists"

D.J. Shubeck Company

3111 Stage Post Dr., Suite 101; Bartlett, TN 38133

Phone: 901-372-2400 Fax: 901-372-4777

Email: steveschneider@djshubeck.com

All dimensions are in inches and for guidance only. For full certified drawings or assistance in selecting a grinder, visit www.moyno.com/EZstrip.

www.moyno.com

U.S.A. +1 937.327.3553
Outside U.S.A. 877.4UMOYNO

© 2014 by Moyno | Moyno is a brand of NOV



Printed in U.S.A.
EZP R2